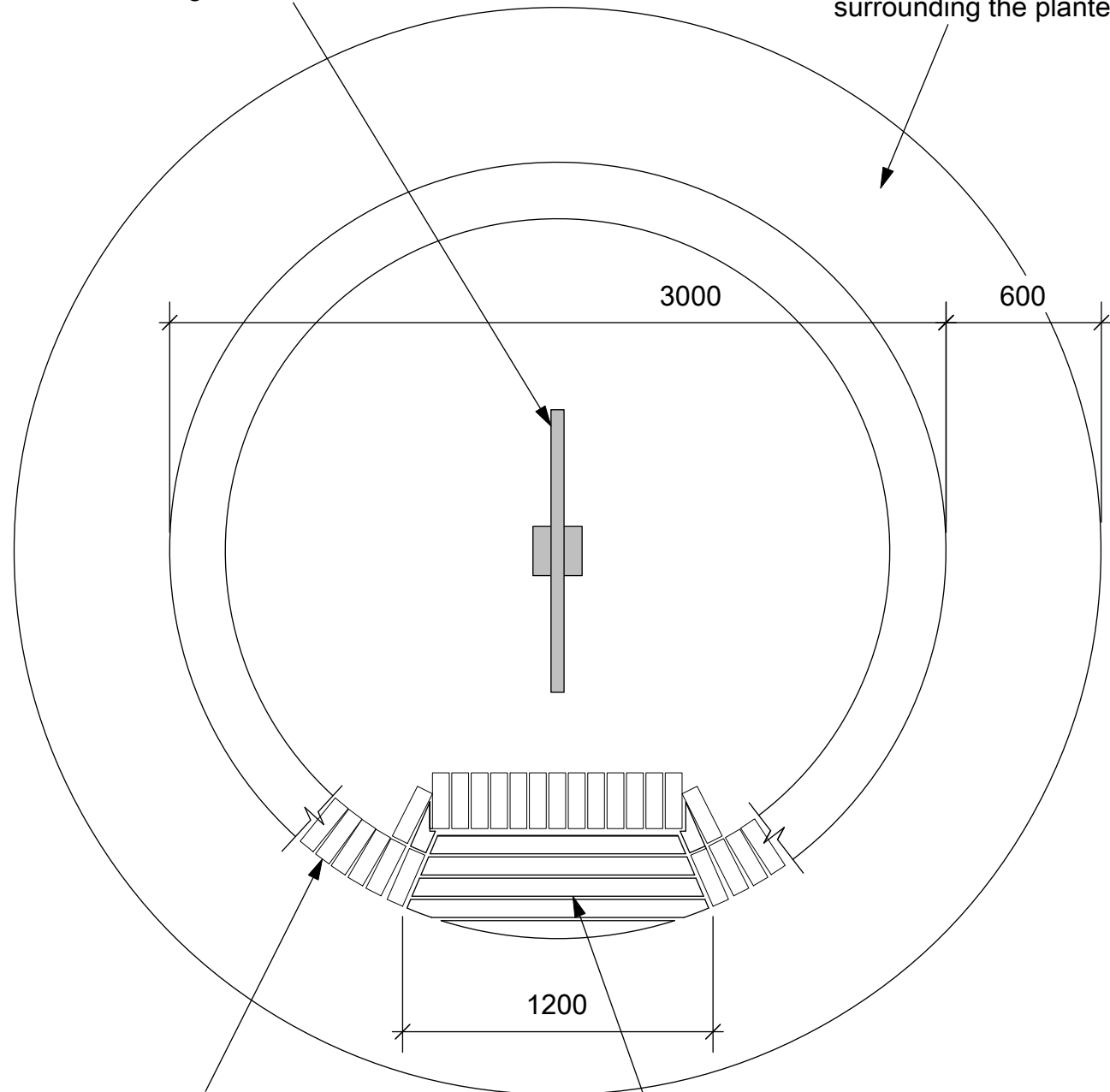


Village sign positioned to face the oncoming traffic

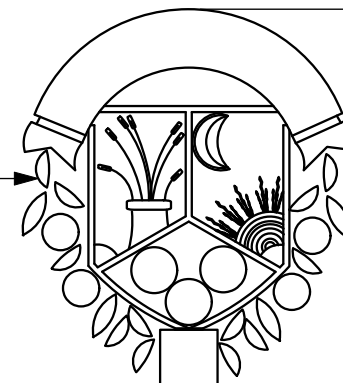
Brick paviour band surrounding the planter



Clay brick planter base

Seating recess with slatted hardwood seating and back

Sign facing East-West to be viewed by oncoming traffic  
(Turned through to 90 degrees for illustration purposes)



2000

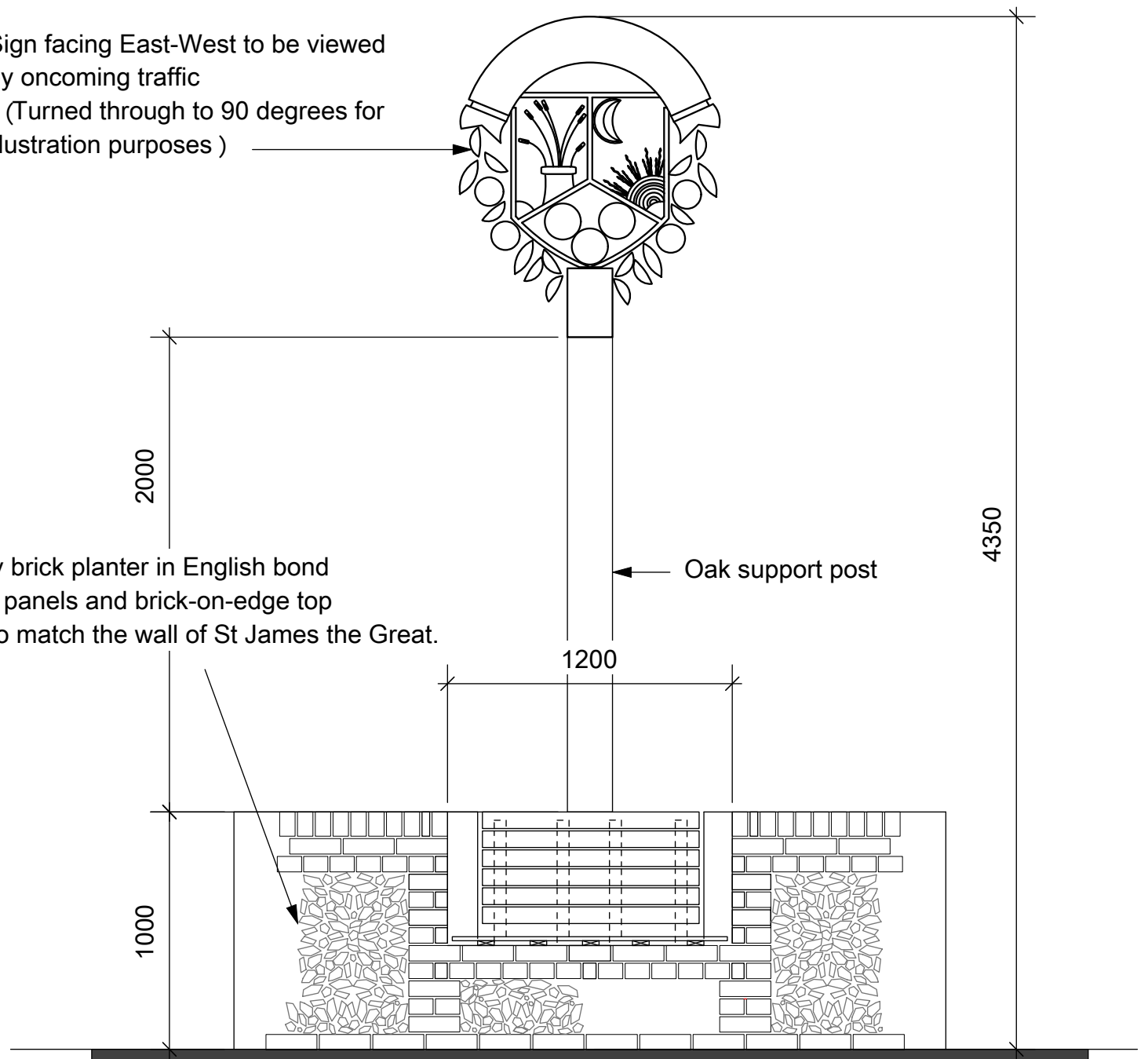
Red clay brick planter in English bond with flint panels and brick-on-edge top course to match the wall of St James the Great.

Oak support post

1200

1000

4350



**John McDonagh** BSc MA MSc MRICS FCABE

Chartered Building Surveyor, Historic Building Consultant

Lea Hall,  
Dunmow Road,  
Hatfield Heath, Essex CM22 7BL  
Mobile: +44 (0)7962 189415  
Email: johnmcdonagh@hotmail.co.uk

Rev	Date	Notes
A	23/01/2021	Wall amended to flint and brick

Project High Wych Village Sign

Drawing Title  
Proposed plan & elevation

Scale 1:25 @ A3 Date Jan 2021

Drawn by: JMcD Checked by:

Drawing No.	Revision
	A